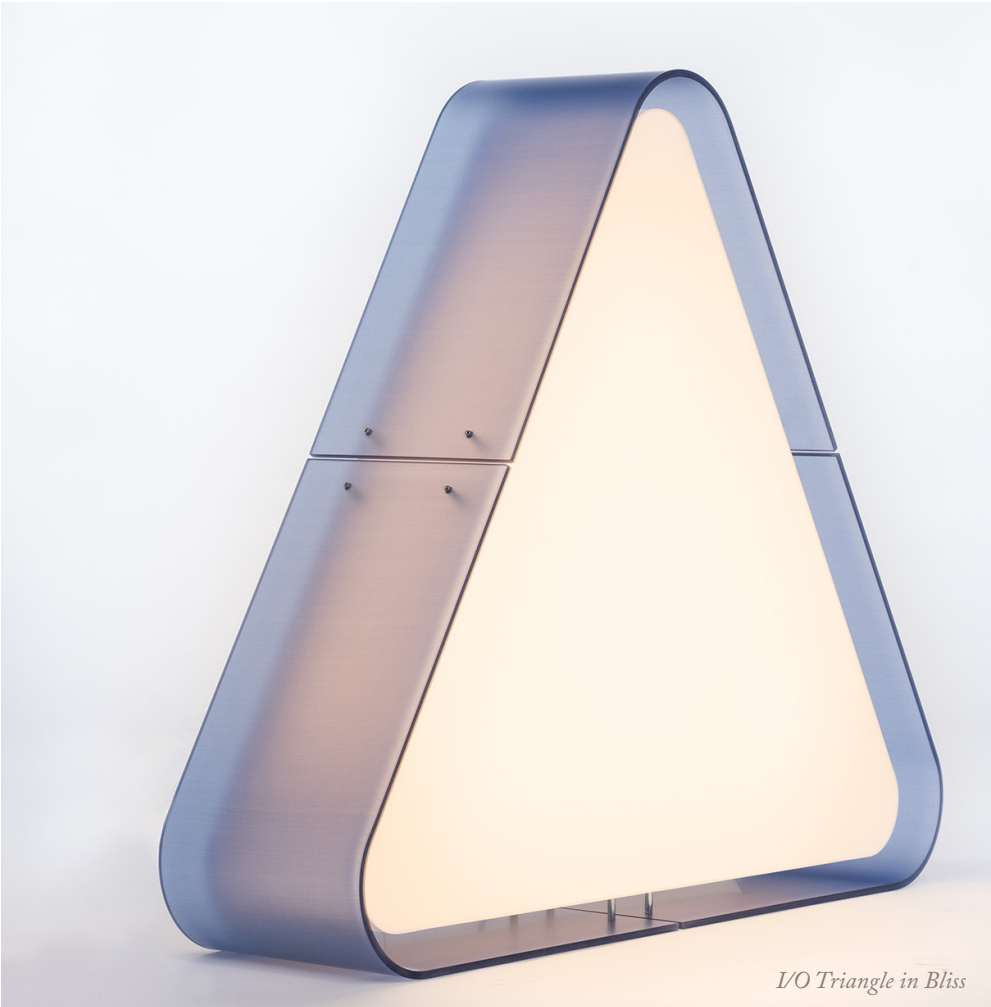


# I/O TRIANGLE

COLLECTION

SPECIFICATIONS



## I/O TRIANGLE

*As shown*

### STANDARD DIMENSIONS

*Custom options available*

30" L x 27"W x 8"H

### MATERIALS

*1/8" or 1/4"*

*3form Varia EcoResin*

*White Opal diffuser*

## LIGHTING

Solid State LED System

120v-277v input;  
0-10v dimming compatible

3000k, 3500k or 4000k options  
81 CRI light source

## HARDWARE

Removable powder coated lid

9"Dia canopy and dress plate mounts to  
standard junction box (provided by others)

3/64" stainless steel cables to ceiling

Adjustable 24"-96" suspension

White power cord to canopy

## STANDARDS

4-6 week lead time

250+ 3form material options

5 year limited warranty

Contact for custom material pricing

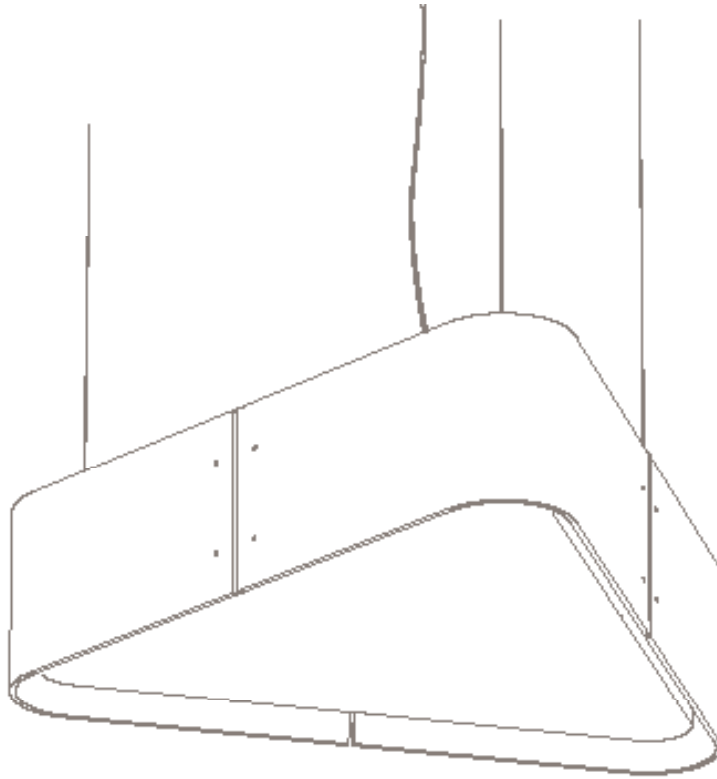


4770 OHIO AVE SOUTH, SUITE A  
SEATTLE, WA 98134  
[lightart.com](http://lightart.com)

# I/O TRIANGLE

COLLECTION

SPECIFICATIONS



30" L x 27"W x 8"H

## STOCK SHADE MATERIALS

3form Varia Ecoresin / 4-6 week lead time



Linea Ivory + Noir   Linea Ivory + Khaki   Linea Ivory   Linen White   Translucent Suede

\*Materials shown lit (left) and unlit (right)

\*Lead times subject to change

## MATERIAL OPTIONS

Hundreds of colors available!

Contact us for samples and more information.

## CANOPY & DRESS PLATE FINISH OPTIONS

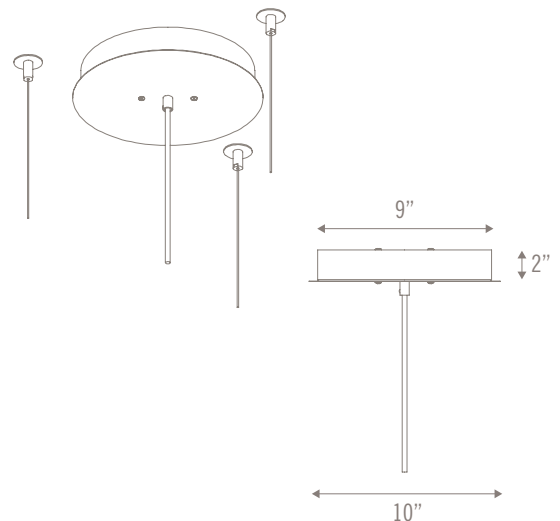
White Canopy & White Dress Plate standard



BY REQUEST

## CEILING HARDWARE

Cables to Ceiling



4770 OHIO AVE SOUTH, SUITE A  
SEATTLE, WA 98134  
lightart.com