

10' RING

LA2 CONNECTED 10' RING OVERVIEW



STANDARD DIMENSIONS

Custom options available

10'Dia x 4"H

10'Dia x 8"H

MATERIALS

1/16" 3form Varia EcoResin

White Opal diffuser

Fixture price available upon request

SPECIFICATIONS

LIGHTING:

Solid State LED System

120v-277v input;
0-10v dimming compatible

3000k, 3500k or 4000k options
80 CRI light source

9.6w/linear ft. circuits
Fixture Wattage - 230.4w

HARDWARE:

Removable powder coated lid

10" Canopies and dress plates mount to
standard junction box (provided by others)

3/64" stainless steel cables to ceiling

Adjustable suspension

Power cord to canopy

STANDARDS:

4-6 week lead time

CSA Approved to UL standards
250+ 3form material options

Damp Rated

5 year limited warranty

Contact for custom material pricing



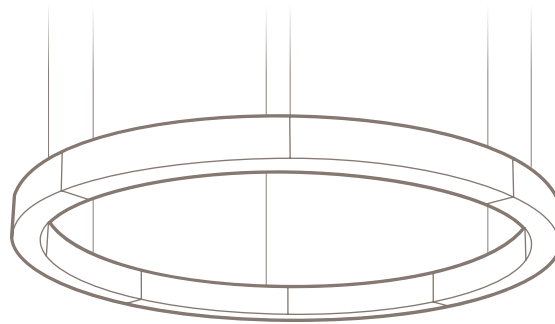
Last Updated 1.16.2020

10' RING

LA2 CONNECTED
10' RING FIXTURE OPTIONS

RENDERINGS AND DIMENSIONS

Fixtures
available in 4"
and 8" profiles



10'Dia. x 8"H - 75 lbs
4 sections

SHADE COLOR OPTIONS

3FORM VARIA ECORESIN



Cinder



Silken
Oyster



Gesso



Cranberry x2



Natural



Wizard



Mid Century
Rosewood



Vitamin C

**Materials shown lit (left) and unlit (right)*

**Due to manufacturing and construction process used to create the Essentials and Connected collection, Pattern+ and wood grains will not match at fixture seams.*

**Lead times subject to change*

MATERIAL OPTIONS

Hundreds of colors available!

Contact us for samples and more information.



Last Updated 1.16.2020

CANOPY / DRESS PLATE FINISH OPTIONS

STANDARD



White/ White

BY REQUEST



Silver/Silver



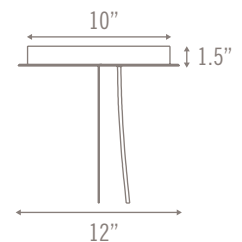
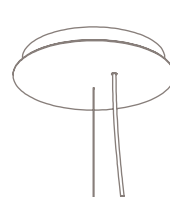
Black/Black

CEILING HARDWARE

Cables to Ceiling

Recessed canopies or remote mounted

Power supplies available upon request



10' RING

LA2 CONNECTED 10' RING PART NUMBER SPECIFICATION

Complete form to order Ring fixture(s)

SPECIFICATION CODE Example: 2 QTY LA2-CON-RING-10-4-WZ-830-STD-STD-WP-WH

Qty. **LA2-CON-RING-** - - - - - - -

1
 2
 3
 4
 5
 6
 7
 8

For each number, make one selection and enter in the corresponding box above. *Indicates modified choices; additional lead times and/or costs may apply.

1 SIZE

<input type="checkbox"/> 6	6 6'Dia
<input type="checkbox"/> 8	8 8'Dia
<input type="checkbox"/> 10	10 10'Dia
<input type="checkbox"/> 12	12 12'Dia
<input type="checkbox"/> 14	14 14'Dia
<input type="checkbox"/> 16	16 16'Dia

2 HEIGHT

<input type="checkbox"/> 4	4" H
<input type="checkbox"/> 8	8" H

3 MATERIAL

<input type="checkbox"/> GO	<input type="checkbox"/> CB2	<input type="checkbox"/> GO Gesso	<input checked="" type="checkbox"/> CB2 Cranberry x2
<input type="checkbox"/> NL	<input type="checkbox"/> VC	<input type="checkbox"/> NL Natural	<input type="checkbox"/> VC Vitamin C
<input type="checkbox"/> CR	<input type="checkbox"/> WZ	<input type="checkbox"/> CR Cinder	<input type="checkbox"/> WZ Wizard
<input type="checkbox"/> SO	<input type="checkbox"/> MCR	<input type="checkbox"/> SO Silken Oyster	<input type="checkbox"/> MCR Mid Century Rosewood
<input type="checkbox"/> CUST*		<input type="checkbox"/> CUST* Custom Color	

4 LED CRI / CCT

<input type="checkbox"/> 830	830 80 CRI / 3000K
<input type="checkbox"/> 835*	835* 80 CRI / 3500K
<input type="checkbox"/> 840*	840* 80 CRI / 4000K

5 SUSPENSION

<input type="checkbox"/> STD	STD 12"-96"
<input type="checkbox"/> EXT*	EXT* 12"-240"

6 CANOPY OPTIONS

<input type="checkbox"/> STD	STD Standard
<input type="checkbox"/> REC*	REC* Recessed

7 CANOPY COLOR

<input type="checkbox"/> WP	WP White
<input type="checkbox"/> BP*	BP* Black
<input type="checkbox"/> SP*	SP* Matte Silver

8 POWER CORD

<input type="checkbox"/> WH	WH White
<input type="checkbox"/> BK*	BK* Black

*Indicates modified choices; additional lead times and/or costs may apply.



Last Updated 1.16.2020