

CASPER BEAM

READY TO GO

SPECIFICATIONS



4" W x 4" H x 24" L in White Opal Chroma

CASPER BEAM

as shown

STANDARD DIMENSIONS

Custom options available

4" W x 4" H x 24" L

4" W x 4" H x 36" L

4" W x 4" H x 48" L

4" W x 4" H x 60" L

*Fixture price available
upon request*

LIGHTING

Solid State LED System

3000K, 120-277V input

0-10V Dimming compatible

24" L - 17W LED

36" L - 27W LED

48" L - 40W LED

60" L - 46W LED

HARDWARE

Black canopy and stainless steel dress plate mounts to standard junction box (provided by others)

3/64" stainless steel cables to ceiling

Silver power cord to canopy

Adjustable 24"-96" suspension

STANDARDS

3-6 week lead time

UL Compliant Components

5 year limited warranty

Contact for custom material pricing



4770 OHIO AVE SOUTH, SUITE A
SEATTLE, WA 98134
lightart.com

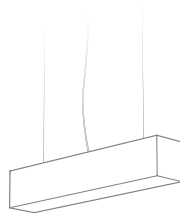
CASPER BEAM

READY TO GO

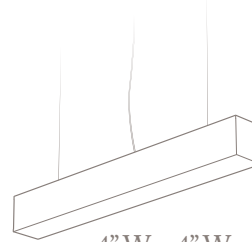
OPTIONS

STANDARD DIMENSIONS

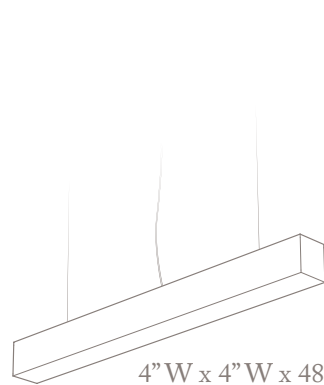
CUSTOM OPTIONS AVAILABLE



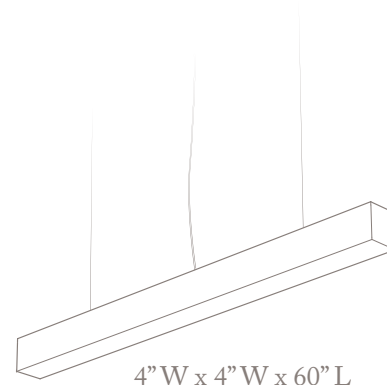
4" W x 4" H x 24" L



4" W x 4" H x 36" L



4" W x 4" H x 48" L



4" W x 4" H x 60" L

STOCK SHADE MATERIALS

3FORM VARIA ECORESIN / 3-6 WEEK LEAD TIME

Estimated lead time subject to change



White Opal Chroma

*Materials shown lit (left) and unlit (right)

MATERIAL OPTIONS

HUNDREDS OF COLORS AVAILABLE!

CONTACT US FOR SAMPLES AND MORE INFORMATION

CANOPY/DRESS PLATE FINISH

BLACK CANOPY/STAINLESS STEEL DRESS PLATE STANDARD



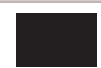
Black/Stainless Steel



White/White



Silver/Silver



Black/Black

BY REQUEST

CONNECTION

CABLES TO CEILING STANDARD



LightArt[®]
HANDMADE IN SEATTLE

4770 OHIO AVE SOUTH, SUITE A
SEATTLE, WA 98134
lightart.com